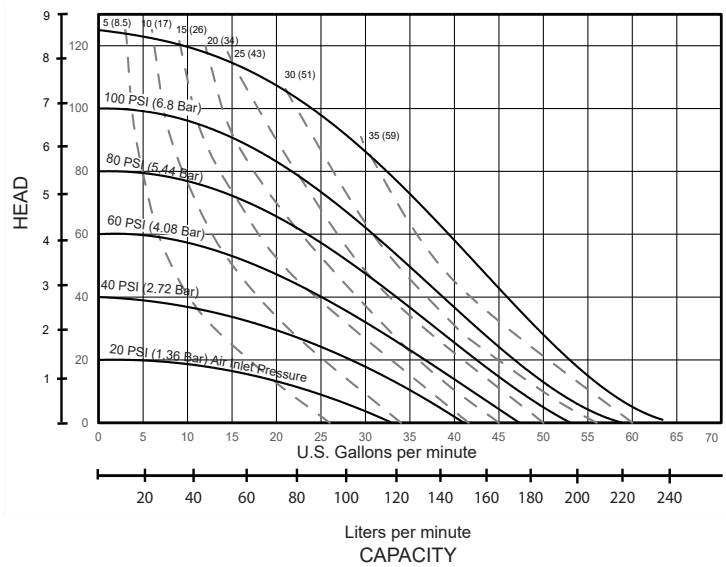


VALOR DATA SHEET

SPECIFICATIONS & PERFORMANCE

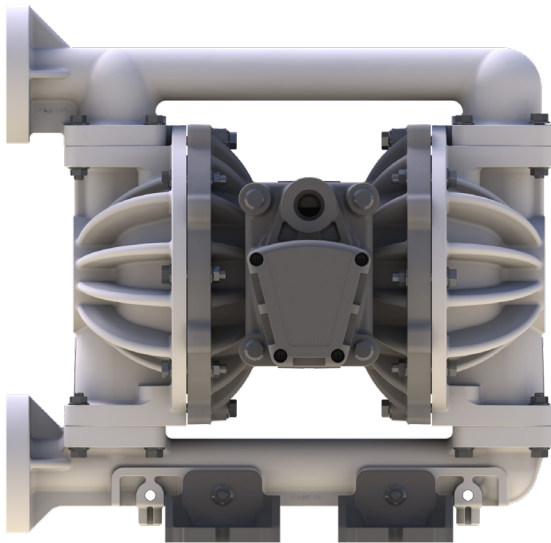
1" Plastic Valor

PERFORMANCE



NOTE: Performance based on the following: elastomeric fitted pump, flooded suction, water at ambient conditions. The use of other materials and varying hydraulic conditions may result in deviations in excess of 5%.

DIMENSIONS



SPECIFICATIONS

Flow Rate

Adjustable to 0-63 gpm (227 lpm)

Port Size - Suction / Discharge

. 1" ANSI/DIN Flange

Max Solid Size (Diameter)

. 0.25" (6 mm)

Air Inlet 3/4" NPT

Air Exhaust 1" NPT

Suction Lift 19' (5.8 m) Dry

. 31' (9.5 m) Wet

Weights

. Polypropylene 25 lbs. (11.3kg)

. PVDF 42 lbs. (19kg)



VERSAMATIC®

Warren Rupp, Inc. | A Unit of IDEX Corporation
800 North Main Street | Mansfield, OH 44902 USA
Phone: 419.526.7296 | Fax: 419.526.7289

VERSAMATIC.COM

Valor_Datasheet-rev0822

©Copyright 2022 Warren Rupp, Inc. All Rights Reserved.

VALOR DATA SHEET

SPECIFICATIONS & PERFORMANCE

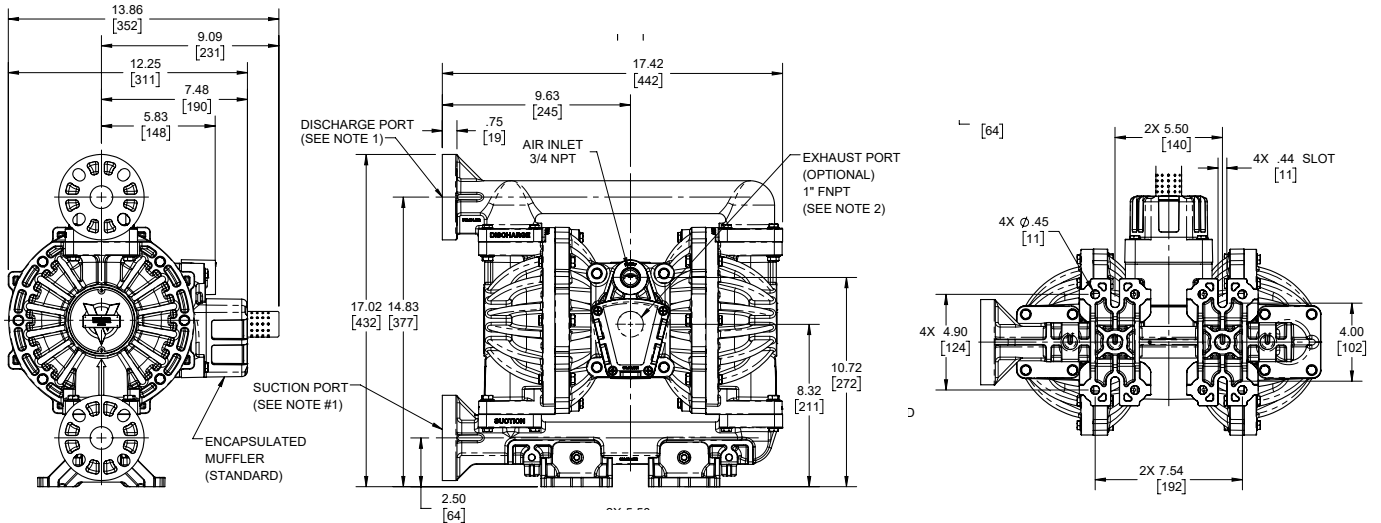
1" Plastic Valor

DIMENSIONS

Valor End Ported Option- Polypropylene Wet End Models ONLY

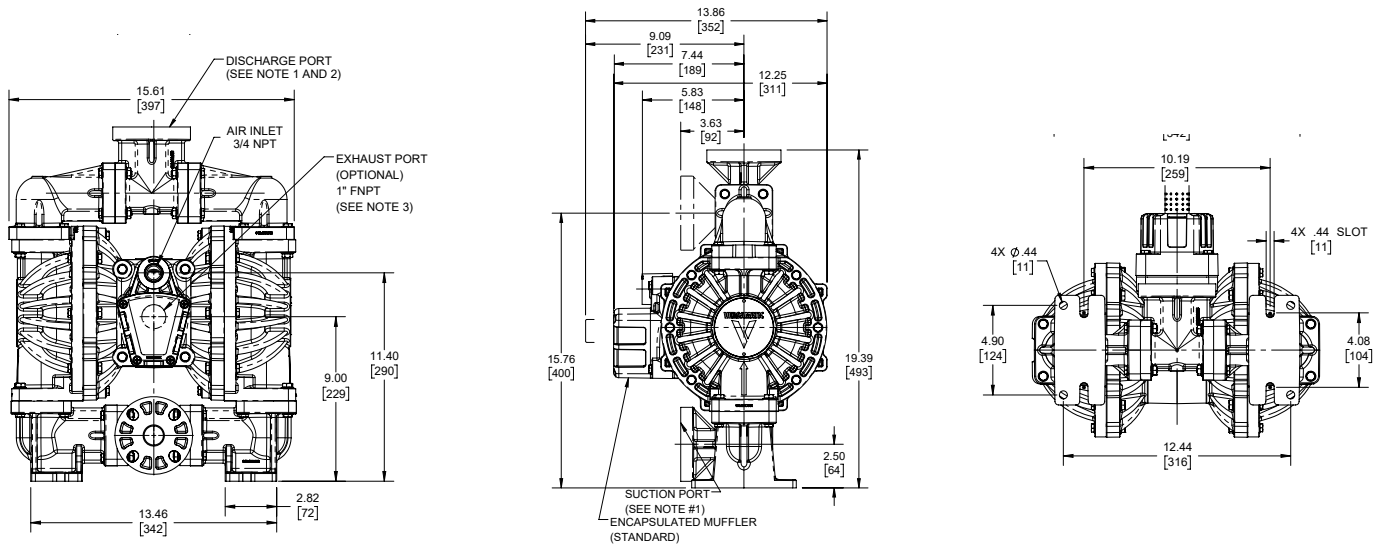
Dimensions in inches (metric dimensions in brackets)

The dimensions on this drawing are for reference only. A certified drawing can be requested if physical dimensions are needed.



Valor Plastic Bolted Center Ported Options

Dimensions in Inches [] in Millimeters. Dimensional tolerance: +/- 1/8" [] +/- 3mm



VERSAMATIC®

Warren Rupp, Inc. | A Unit of IDEX Corporation
 800 North Main Street | Mansfield, OH 44902 USA
 Phone: 419.526.7296 | Fax: 419.526.7289

VERSAMATIC.COM

Valor_Datasheet-rev1022

©Copyright 2022 Warren Rupp, Inc. All Rights Reserved.